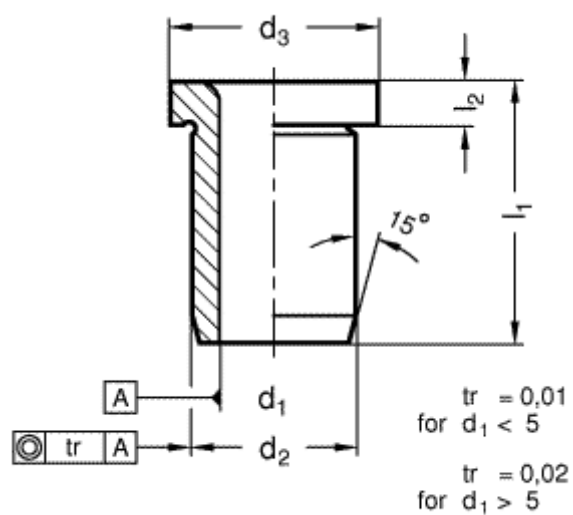


Article number: 201134081

Description: E+G Guide bush DIN 172-B14,1-28-A
with collar

Measures



$d_1 = 14,5$

$d_2 = 22$

$d_3 = 26$

$l_1 = 28$

$l_2 = 4$